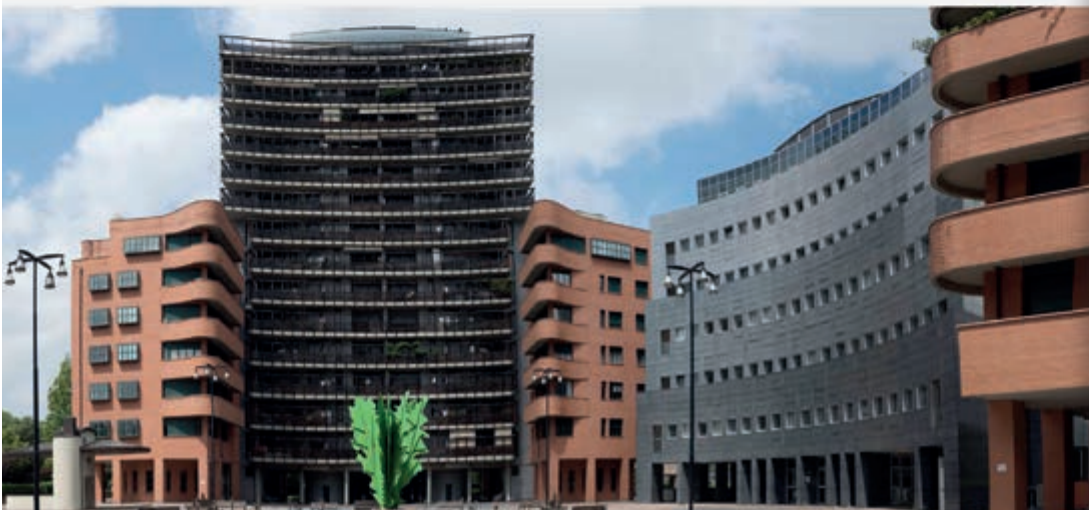


Steely, Patavium e Pixel Up.
Entrance panels born to satisfy any style.





Steely, Patavium e Pixel Up.

Three new video door entry panels ready to be integrated harmoniously in every urban context.

Three entrance video door entry panels diversified for shapes, finishes, materials but sharing the same common denominator: their refined design, in accordance with the most demanding architectural expectations. From these premises, new Steely and Pixel Up are born, both made of steel, modern and linear. Then new Patavium unifies the fascination of brass with rounded, elegant, timeless lines. Perfect to interpret all aesthetic and functional needs.

Modern or classic design. A declination for every style.

Steely and Pixel Up: modern appeal and an excellent aesthetic look.

Modern, linear, simple. These three characteristics, combined with a strong attitude towards innovation, makes Steely and Pixel Up the perfect solution to any kind of stylistic need, construction typology and functional necessity.



Smooth and timeless or modern and essential lines: two discreet and elegant interpretations, result of stylistic in-depth researches. They both combine quality and appearance, innovative technologies and a user-friendly use.

Patavium: a timeless charm.

Sinuous curves emphasized by golden reflection for a still actual concept of beauty and refinement. The timeless design and the brass metal used make it the perfect option in prestigious contexts or combined with historical buildings.



Two materials with a high aesthetic value. Coordinated with every context.

**Steely is steel.
In word and deed.**

A simple and resistant material, which characterizes Steely and Pixel Up panels and it combines perfectly with its contemporary, modern and technological taste.



Satin brass and steel: materials with a well-defined identity that combine aesthetic and resistance. They can communicate harmoniously with any environment. They are the result of both innovative productive processes and attention to typical Made in Italy finishes that marks Vimar's point of view.

Patavium is brass. Timeless style.

Realized with satin brass, Patavium is available on request even in polished and rough variations to enhance all spaces in every single personal expression.



WHITE
BACKLIGHTING LED

NEW

Modular and versatile.

Excellent performances for all needs.



Audio/video module with high performances.

A perfect video image thanks to:



A camera with manual horizontal and vertical **pan-tilt movement.**

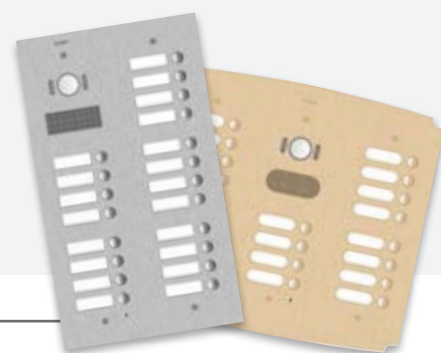


Lighting of the area with white LED light.



Complete modularity.

Special configurations.



Steely and Patavium can be freely combined through a wide range of choices between audio and audio/video units, expansion modules with buttons, display and alphanumeric keyboard. They represent a smart technology in favour of a perfect personalization.

Perfect audio reproduction thanks to:



Full duplex communication.



Indoor and outdoor volume and an adjustable voice balancing to get a perfect conversation volume.



Steely and Patavium can also be composed together horizontally or vertically (this last one just for Steely) to fulfill all needs of our clients.

Entrance panels Steely and Patavium are available also in special single-unit versions: double and triple rows for 2, 3 and 4 modules, for 6 different installation methods. Patavium can be furnished both with a satin brass finish and in a polished brass version.



Slim and steady.

A technological core clad in steel.



Audio/video module with high performances.

A perfect video image thanks to:



Video camera with wide-angle lens.

The field of view can be controlled directly from the indoor video entry station using the pan&zoom function.



Sensor: high sensibility and HDR.

It helps to focus even on areas with a reduced brightness.



Automatic regulation of lighting.

Brightness is also self-adjusting based on ambient light to ensure an optimal view.



Pixel Up is a range of one-block panels with stainless steel cover plate, integrated electronic unit, display and alphanumeric keyboard, in both audio and audio/video versions. Designed to meet also partially sighted people and people with hearing aids needs.

Perfect audio reproduction thanks to:



Automatic gain control.

Amplification of the audio signal (AGC), optimized independently of distance or loudspeaker's tone.



Echo suppression.

An algorithm makes natural two-way conversations possible automatically avoiding annoying audio feedback or whistling.



Voice synthesis and built-in teleloop.

Voice messages guide the user step by step. T-coil hearing aid wearers can listen to conversations directly in their hearing aid.



IP and Due Fili Plus.

Evolved technologies which multiple solutions.



Scalability.

IP video door entry system was designed to meet with the greatest simplicity all kind of buildings' needs: from the small house to the largest residential complex.

Unparalleled extension.

Thanks to IP technology video door entry systems can be extended to reach a large number of users. This extension is as easy as the installation: fast, functional and it happens using dedicated or shared LANs, if already present.



The Due Fili Plus technology supports new entrance panels Steely, Pixel Up and Patavium and it makes possible the realization of any kind of building to ensure the highest performances from the small house to the largest residential complex. Due Fili ensures precise connections among all devices through which pass power, audio and video. Pixel Up is available also with IP technology, that improves video door entry systems performances, it makes possible multiple and simultaneous audio/video communications between outdoor and indoor units. A total simplicity also thanks to the use of still existing LANs.

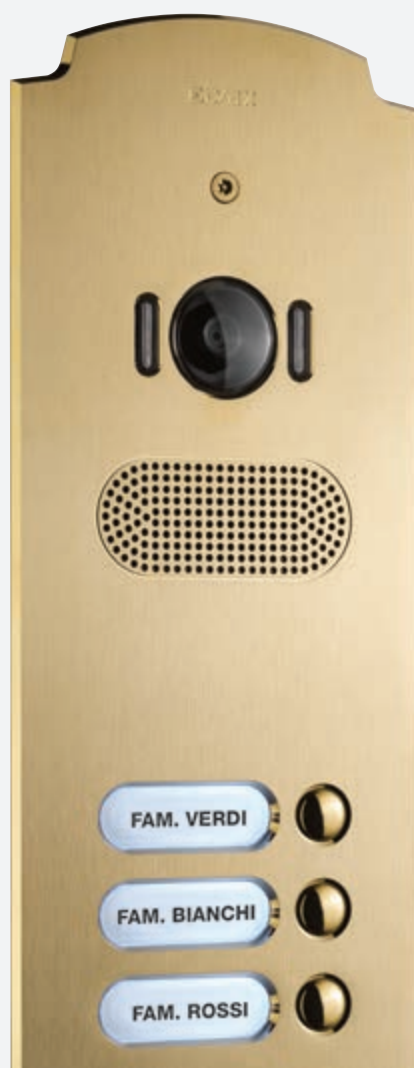


Longer lines.

Audio and video signal is played perfectly up to a maximum distance of 1200 meters between entrance panel and indoor video entry station.

Many connections.

It is possible to realize systems that can manage up to 484 entrance panels, 6.400 indoor stations and 128 reception switchboards.



General contents

**General characteristics of entrance panels
characteristics Steely, Patavium and Pixel Up**

from page 14

**Guide to choosing systems with entrance panels
Steely and Patavium**

from page 18

Steely entrance panels

from page 20

Patavium entrance panels

from page 26

Pixel Up entrance panels

from page 32

Steely entrance panel general characteristics

Flush mounting boxes

Zinc-plated metal boxes for the Steely and Patavium series with 2, 3 and 4 modules. For the Steely series, in the 2-module version the boxes can be combined both horizontally and vertically, using the brackets supplied as standard with the boxes. It is supplied as standard with an anti-mortar cover for protection during installation.

Frame

The zinc-plated metal frame supplied with the Steely cover plate is used for fixing the electronic units to the flush mounting box.

Connection terminal block

The terminal block ensures simple and practical connection of the electronic unit to the system with its quick coupling connector.



Cover plates

Audio and audio/video cover plates with 2, 3 and 4 modules in 4 mm thick brushed 316L stainless steel. They are fixed directly to the flush mounting box with special Torx screws.



Electronic units

Audio, audio/video electronic units with colour camera. In version with buttons or version with display and alphanumeric keypad, with steel buttons. Fitted with backlighting system white-light LEDs. The button versions can be expanded using the 12TS.B unit.



Patavium entrance panel general characteristics

Flush mounting boxes

Zinc-plated metal boxes for the Steely and Patavium series with 2, 3 and 4 modules. For the Patavium series, in the 2-module version the boxes can be combined horizontally, using the brackets supplied as standard with the boxes. It is supplied as standard with an anti-mortar cover for protection during installation.

Frame

The zinc-plated metal frame supplied with the Patavium cover plate is used for fixing the electronic units to the flush mounting box.

Connection terminal block

The terminal block ensures simple and practical connection of the electronic unit to the system with its quick coupling connector.



Cover plates

Audio and audio/video cover plates with 2, 3 and 4 modules in 4 mm thick satin-finish brass. They are fixed directly to the flush mounting box with special Torx screws.



Electronic units

Audio, audio/video electronic units with colour camera. In version with buttons or version with display and alphanumeric keypad, with gold buttons. Fitted with backlighting system white-light LEDs. The button versions can be expanded using the 12TS.B unit.



Pixel Up entrance panel general characteristics

Built-in electronic units

Audio, audio/video electronic units with colour camera integrated into the entrance panel. In version with display and alphanumeric keypad. Fitted with backlighting system white-light LEDs.

Optical signalling

The entrance panel operations are signalled by graphic icons on the display and by the LEDs on the front of the cover plate, which show the call under way, the line busy, the conversation and the lock opening.

High performance 3.5" display

Wide viewing angle and backlighting that allow easy reading of information even in bright light. The device uses large-sized characters and symbols, so it can also be used by the visually impaired. 5 mm thick polycarbonate screen protector.

Backlit keyboard

Backlit stainless steel keys with Braille codes featuring multi-tap function for rapid name search.

Cover plates

Audio and audio/video cover plates in 3 mm thick 316 stainless steel with brushed finish. They are fixed directly to the flush mounting box with special anti-removal screws.



Pixel Up entrance panel general characteristics

Automatic brightness control

The intensity of the LEDs used for lighting the video camera is self-adjusting according to the environmental light, to ensure optimal visibility of the caller and the surrounding area.

Video camera with wide-angle lens

Camera with wide-angle lens, high-definition, high-sensitivity and HDR. The High Dynamic Range (HDR) technology in fact allows you to identify the caller even in poorly lit areas. Recording range can be controlled directly from the indoor station using the pan&zoom function.

Contacts list with up to 6,400 names

Thanks to a user-friendly navigation menu, the entrance panel can manage up to 6,400 names. Calls can be made by scrolling the contacts list or entering the required number.

Integrated teleloop

Thanks to this technology, T-coil hearing aid wearer, can listen to conversations directly in their hearing aid.

Voice synthesis

Entrance panel use by the visually impaired is facilitated, thanks to voice messages that guide the user step by step.



Composition

The cover plate is fixed to the flush mounting box using 4 special steel anti-tamper screws. The entrance panel can also be external surface mounted thanks to the dedicated box supplied with a rain-proof frame. The entrance panel has protection degree IP54 and protection rating IK08 for impact resistance.

Video door entry system with Steely and Patavium series entrance panels

Number of calls	Entrance panel					Additional entrance panel components
	With pushbuttons			Alphanumeric		Installation installation
	Cover plate		unit electronic	Cover plate + electronic unit		
	Steely	Patavium		Steely	Patavium	Panel
1	41521	41621	13F5.B			41592
2	41522	41622	13F5.B			41592
3	41523	41623	13F5.B			41592
4	41524	41624	13F5.B			41592
5	41526	41626	13F5.B + 12TS.B			41593
6	41526	41626	13F5.B + 12TS.B			41593
7	41528	41628	13F5.B + 12TS.B			41593
8	41528	41628	13F5.B + 12TS.B			41593
9	41530	41630	13F5.B + 2 x 12TS.B			41594
10	41530	41630	13F5.B + 2 x 12TS.B			41594
11	41532	41632	13F5.B + 2 x 12TS.B			41594
12	41532	41632	13F5.B + 2 x 12TS.B			41594
13	41521 + 2 x 41543	41621 + 2 x 41643	13F5.B + 4 x 12TS.B			3x41592
14	41521 + 2 x 41543	41621 + 2 x 41643	13F5.B + 4 x 12TS.B			3x41592
15	41521 + 2 x 41543	41621 + 2 x 41643	13F5.B + 4 x 12TS.B			3x41592
16	41521 + 2 x 41543	41621 + 2 x 41643	13F5.B + 4 x 12TS.B			3x41592
17	41521 + 2 x 41543	41621 + 2 x 41643	13F5.B + 4 x 12TS.B			3x41592
18	41522 + 2 x 41543	41622 + 2 x 41643	13F5.B + 4 x 12TS.B			3x41592
19	41523 + 2 x 41543	41623 + 2 x 41643	13F5.B + 4 x 12TS.B			3x41592
from 1 to 200 *				41541 + 13A7.B	41641 + 13A7.B.43	41592

* For systems with over 20 calls, please contact the sales network for advice regarding structure and additional system components.

** From the second call, 1 distributor every 4 calls.

Entryphone system with Steely and Patavium series entrance panels

Number of calls	Entrance panel					Additional entrance panel components
	With pushbuttons			Alphanumeric		Installation installation
	Cover plate		unit electronic	Cover plate + electronic unit		
	Steely	Patavium		Steely	Patavium	Panel
1	41501	41601	13F3.B			41592
2	41502	41602	13F3.B			41592
3	41503	41603	13F3.B			41592
4	41504	41604	13F3.B			41592
5	41506	41606	13F3.B + 12TS.B			41593
6	41506	41606	13F3.B + 12TS.B			41593
7	41508	41608	13F3.B + 12TS.B			41593
8	41508	41608	13F3.B + 12TS.B			41593
9	41510	41610	13F3.B + 2 x 12TS.B			41594
10	41510	41610	13F3.B + 2 x 12TS.B			41594
11	41512	41612	13F3.B + 2 x 12TS.B			41594
12	41512	41612	13F3.B + 2 x 12TS.B			41594
13	41501 + 2 x 41543	41601 + 2 x 41643	13F3.B + 4 x 12TS.B			3x41592
14	41501 + 2 x 41543	41601 + 2 x 41643	13F3.B + 4 x 12TS.B			3x41592
15	41501 + 2 x 41543	41601 + 2 x 41643	13F3.B + 4 x 12TS.B			3x41592
16	41501 + 2 x 41543	41601 + 2 x 41643	13F3.B + 4 x 12TS.B			3x41592
17	41501 + 2 x 41543	41601 + 2 x 41643	13F3.B + 4 x 12TS.B			3x41592
18	41502 + 2 x 41543	41602 + 2 x 41643	13F3.B + 4 x 12TS.B			3x41592
19	41503 + 2 x 41543	41603 + 2 x 41643	13F3.B + 4 x 12TS.B			3x41592
from 1 to 200 *				41540 + 13A4.B	41640 + 13A4.B.43	41592

* For systems with over 20 calls, please contact the sales network for advice regarding structure and additional system components.

Power supply unit	Distributors video	Video entryphones/entryphones									
		Installation	Tab			5700	6600	Petrarca	Giotto	8870	6901
6922.1	692D		Video (hands-free)	Video (handset)	Audio (handset)	Video (hands-free)	Video (hands-free)	Audio (handset)	Video (handset)	Audio (handset)	Audio (hands-free)
		Flush				5721+6149	6611+6149 6621+6149				
		Surface wall mount	40507+6923 ***	7549	7509 (/D)	6721	6209/P	6329/C	8879.1	6901	
			40505								
			7559								
			7539								
		Table mounted	40507+40195+6923 ***	7549+753A+753B	7509 (/D)+ 753A+753B						
			40505+40195								
			7559+753A+753B	7548+753A+753B							
			7539+753A+753B								
1										1	
1	1										2
1	1										3
1	1										4
1	2										5
1	2										6
1	2										7
1	2										8
1	2										9
1	3										10
1	3										11
1	3										12
1	3										13
1	4										14
1	4										15
1	4										16
1	4										17
1	5										18
1	5										19
1	**										from 1 to 200

*** The additional power supply unit 6923 required only for expansions of more than 2 entryphones 40507. For expansions with mixed entryphones from different series the absorption of each device in the system must be assessed.

Power supply unit	Audio only					
	Installation	Tab	Petrarca	8870	6901	
40101		Audio (handset)	Audio (handset)	Audio (handset)	Audio (hands-free)	
	Surface wall mount	7509 (/D)	6209/P	8879.1	6901	
	Table mounted	7509 (/D)+753A+753B	6209/P+6140			
1						1
1						2
1						3
1						4
1						5
1						6
1						7
1						8
1						9
1						10
1						11
1						12
1						13
1						14
1						15
1						16
1						17
1						18
1						19
1						from 1 to 200

Steely entrance panels

Electronic units

Audio and video electronic units combinable with Steely series to make up entrance panels. Supplied with a standard configuration, they can be customized to suit the particular system. The electronic unit can be programmed from the unit itself, or using programmer 950C, or alternatively, the PC software application SaveProg with interface 692I or 692I/U.

Regulatory compliance

EMC directive
Standards EN 60065, EN 61000-6-1, EN 61000-6-3 and EN 60118-4

13A4.B and 13A7.B - Main characteristics

- Electronic unit with alphanumeric display and white backlighting.
- Alphanumeric keypad for making calls, exploring the electronic contacts list, and configuring basic and advanced parameters of the electronic unit.
- Indication of "Engaged - Please Wait", "Do not disturb" message and operating steps on panel display.
- Electronic contacts list with memory capacity for up to 1000 users (2 names of 15 characters each, per user).
- Automatic configuration of indoor station addresses.
- Audio external unit with sound balance control provided and internal and external volume levels, via configuration menu.
- 13A7.B supplied with colour camera with 1/4" sensor, minimum illuminance 1.0 lux, white LED for subject lighting and manual pan/tilt adjustment.
- 13A4.B with inputs/outputs for connection and control of an external camera, in configuration as video electronic unit.
- Possibility to connect up to 2 12TS.B, for a maximum of 8 buttons for direct calls.
- Power supply: Due Fili Plus Bus.
- Input for additional power supply (6923).
- Output for activation of electric lock (peak current $I_T > 1$ A for 10 ms followed by holding current $I_M = 200$ mA for as long as the lock control remains active).
- 2 outputs for activation of 2 relays 0170/001 operating auxiliary services.
- Input for door open sensor.
- Input for activation of lock by remote control.
- Removable terminal block for connection to system.

Technical data	13A4.B	13A7.B
Power supply from bus	voltage min. 21 Vdc	voltage min. 21 Vdc
Recording angle	horizontal	84°
	vertical	69°
Opening at 1 m	horizontal	1.8 m
	vertical	1.4 m
Current draw in stand-by	120 mA	120 mA
Max current draw in operation	470 mA	470 mA
Operating temperature	from -10° to +55° C	from -10° to +55° C
additional power supply	with 6923	with 6923

Option of using additional power supply 6923 where necessary (bus voltage at terminals 1 and 2 of electronic unit registering < 21 Vdc).

13F3.B and 13F5.B - Main characteristics

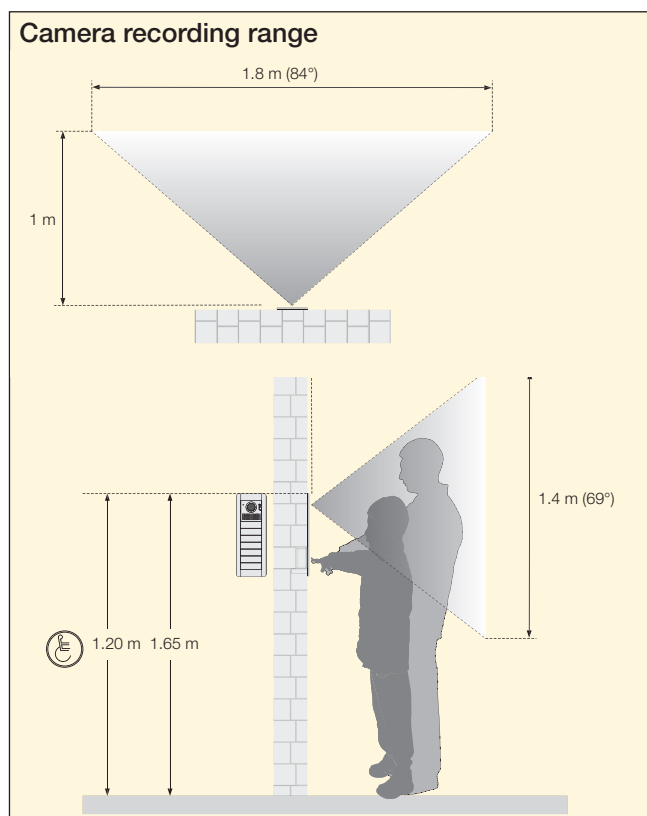
- Electronic unit with 8 call buttons arranged in 2 lines (4+4).
- Facility of increasing the number of call buttons by installing additional module 12TS.B (4 buttons in single line).
- Illuminated "Engaged - Please Wait" signal.
- Automatic configuration of indoor station addresses.
- Audio external unit with sound balance, internal volume and external volume adjustments provided by trimmers.
- 13F5.B supplied with colour camera with 1/4" sensor, minimum illuminance 1.0 lux, white LED for subject lighting and

manual pan/tilt adjustment.

- 13F3.B with inputs/outputs for connection and control of an external camera, in configuration as video electronic unit.
- Basic parameters configurable with the 8 buttons of the electronic unit; configuration of advanced parameters using programmer 950C or alternatively, the PC software application SaveProg.
- Power supply: Due Fili Plus Bus.
- Input for additional power supply (6923).
- Output for activation of electric lock (peak current $I_T > 1$ A for 10 ms followed by holding current $I_M = 200$ mA for as long as the lock control remains active).
- 2 outputs for activation of 2 relays 0170/001 operating auxiliary services.
- Input for door open sensor.
- Input for activation of lock by remote control.
- Removable terminal block for connection to system.

Technical data	13F3.B	13F5.B
Power supply from bus	voltage min. 21 Vdc	voltage min. 21 Vdc
Recording angle	horizontal	84°
	vertical	69°
Opening at 1 m	horizontal	1.8 m
	vertical	1.4 m
Current draw in stand-by	60 mA	60 mA
Max current draw in operation	450 mA	450 mA
Operating temperature	from -10° to +55° C	from -10° to +55° C
Additional power supply	with 6923	with 6923

Option of using additional power supply 6923 where necessary (bus voltage at terminals 1 and 2 of electronic unit registering < 21 Vdc).



Steely entrance panels

Electronic units with alphanumeric keypad and display

- ▲ **13A7.B** Due Fili Plus electronic unit for Patavium and Steely colour audio/video entrance panel with alphanumeric keypad, display and electronic contacts list, 6400 indoor stations, with white LED backlighting, stainless steel buttons
- ▲ **13A4.B** Due Fili Plus electronic unit for Patavium and Steely audio entrance panel with alphanumeric keypad, display and electronic contacts list, 6400 indoor stations, option of connecting to a CCTV type external camera, white LED backlighting, stainless steel buttons



▲ **13A7.B**
stainless steel buttons



▲ **13A4.B**
stainless steel buttons

Electronic units with buttons

- ▲ **13F5.B** Due Fili Plus electronic unit for colour audio/video entrance panel with conventional buttons, colour camera, BUSY-WAIT indication, 8 buttons in 2 rows (4+4), with white LED backlighting
- ▲ **13F3.B** Due Fili Plus electronic unit for audio entrance panel with conventional buttons, BUSY-WAIT indication, 8 buttons in 2 rows (4+4), option of connecting to a CCTV type external camera, with white LED backlighting



▲ **13F5.B**



▲ **13F3.B**

Additional unit

- ▲ **12TS.B** Additional electronic unit with 4 buttons in 1 row, for electronic units for 1200, 1300, Patavium and Steely entrance panels



▲ **12TS.B**

Steely entrance panels

Steely series cover plates

Stainless steel audio/video cover plates with frame, for use in conjunction with electronic units and flush mounting boxes to make up entrance panels. The 2-module audio and audio/video cover plates can be extended both horizontally and vertically, combining them to the additional 2-module cover plates, using flush mounting boxes. The cover plates and boxes are supplied in 3 different heights: 2-, 3- and 4-module.

Regulatory compliance

EMC directive

Main characteristics

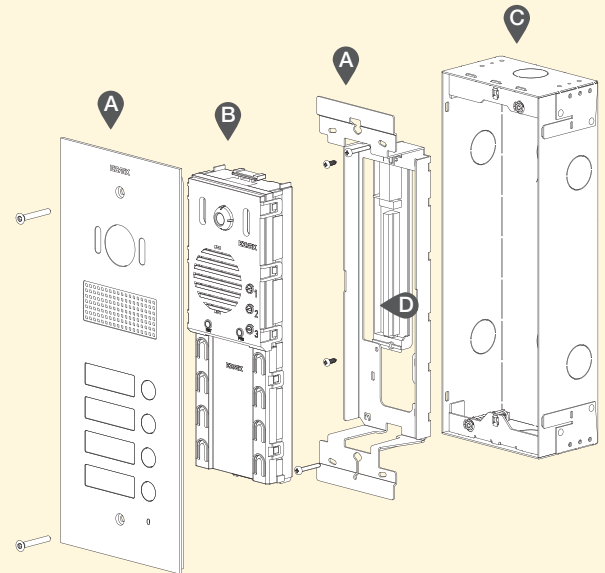
Cover plate in 4 mm thick 316L brushed stainless steel.

- IK08 protection rating against impact (cover plates with buttons), IK07 (cover plates for display and alphanumeric keypad) and protection degree IP54.
- 2 special steel screws for fixing the cover plate to the box.
- Buttons carried in transparent impact-resistant polycarbonate support.
- Zinc-plated steel frame.
- Buttons moulded from transparent polycarbonate with protective stainless steel cap.
- Dimensions of 2-module cover plate: 119.8x299.5x4 mm
- Dimensions of 2-module box: 99.9x270.2x60.6 mm
- Dimensions of 3-module cover plate: 119.8x414x4 mm
- Dimensions of 3-module box: 99.9x384.7x60.6 mm
- Dimensions of 4-module cover plate: 119.8x528.5x4 mm
- Dimensions of 4-module box: 99.9x499.2x60.6 mm

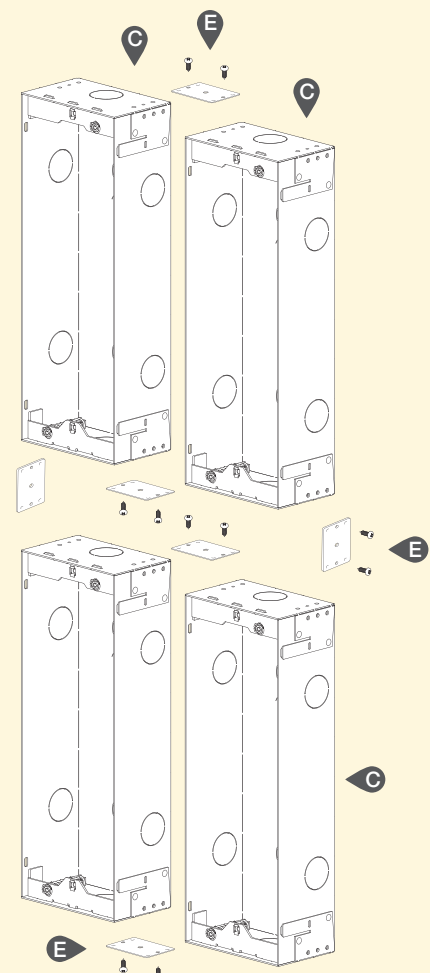
Installations

- A) Cover plate and frame.
- B) Electronic unit.
- C) Flush mounting box.
- D) Electronic unit terminal block.
- E) Brackets for box coupling.

Flush-mounted installation



Flush mounting box coupling



Steely entrance panels

2 modules audio-video cover plates

- ▲ **41521** 2-module audio-video cover plate with 1 button, Steely, stainless steel
- ▲ **41522** As above, with 2 buttons
- ▲ **41523** As above, with 3 buttons
- ▲ **41524** As above, with 4 buttons
- ▲ **41541** 2-module audio-video cover plate for Due Fili Plus electronic units with alphanumeric keypad, Steely, stainless steel



▲ **41521**
stainless steel



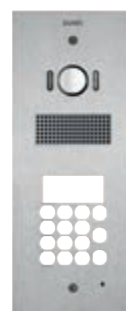
▲ **41522**
stainless steel



▲ **41523**
stainless steel



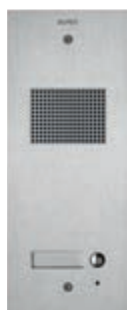
▲ **41524**
stainless steel



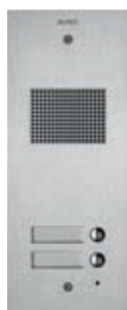
▲ **41541**
stainless steel

2 modules audio cover plates

- ▲ **41501** 2-module audio cover plate with 1 button, Steely, stainless steel
- ▲ **41502** As above, with 2 buttons
- ▲ **41503** As above, with 3 buttons
- ▲ **41504** As above, with 4 buttons
- ▲ **41540** 2-module audio cover plate for Due Fili Plus electronic units with alphanumeric keypad, Steely, stainless steel



▲ **41501**
stainless steel



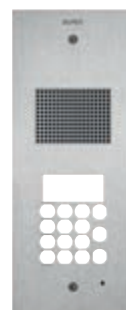
▲ **41502**
stainless steel



▲ **41503**
stainless steel



▲ **41504**
stainless steel



▲ **41540**
stainless steel

2 modules additional cover plates

- ▲ **41542** 2-module cover plate with 3 illuminated cards for 11+11+11 names, Steely, LED lighting, rear card extraction, stainless steel
- ▲ **41543** 2-module additional cover plate with conventional 8 buttons, Steely, stainless steel



▲ **41542**
stainless steel



▲ **41543**
stainless steel

Steely entrance panels

3 and 4 modules audio-video cover plates

▲ 41526	3-module audio-video cover plate with 6 buttons, Steely, stainless steel
▲ 41528	As above, with 8 buttons
▲ 41530	4-module audio-video cover plate with 10 buttons, Steely, stainless steel
▲ 41532	As above, with 12 buttons



▲ 41526
stainless steel



▲ 41528
stainless steel



▲ 41530
stainless steel



▲ 41532
stainless steel

3 and 4 modules audio cover plates

▲ 41506	3-module audio cover plate with 6 buttons, Steely, stainless steel
▲ 41508	As above, with 8 buttons
▲ 41510	4-module audio cover plate with 10 buttons, Steely, stainless steel
▲ 41512	As above, with 12 buttons



▲ 41506
stainless steel



▲ 41508
stainless steel



▲ 41510
stainless steel



▲ 41512
stainless steel

Steely entrance panels

Flush mounting boxes

▲ 41592	Zinc-plated metal 2M flush mounting box for Patavium and Steely entrance panels
▲ 41593	Zinc-plated metal 3M flush mounting box for Patavium and Steely entrance panels
▲ 41594	Zinc-plated metal 4M flush mounting box for Patavium and Steely entrance panels



Patavium entrance panels

Electronic units

Audio and video electronic units combinable with Patavium series to make up entrance panels. Supplied with a standard configuration, they can be customized to suit the particular system. The electronic unit can be programmed from the unit itself, or using programmer 950C, or alternatively, the PC software application SaveProg with interface 692I or 692I/U.

Regulatory compliance

EMC directive
Standards EN 60065, EN 61000-6-1, EN 61000-6-3 and EN 60118-4

13A4.B.43 and 13A7.B.43 - Main characteristics

- Electronic unit with alphanumeric display and white backlighting.
- Alphanumeric keypad for making calls, exploring the electronic contacts list, and configuring basic and advanced parameters of the electronic unit.
- Indication of "Engaged - Please Wait", "Do not disturb" message and operating steps on panel display.
- Electronic contacts list with memory capacity for up to 1000 users (2 names of 15 characters each, per user).
- Automatic configuration of indoor station addresses.
- Audio external unit with sound balance control provided and internal and external volume levels, via configuration menu.
- 13A7.B.43 supplied with colour camera with 1/4" sensor, minimum illuminance 1.0 lux, white LED for subject lighting and manual pan/tilt adjustment.
- 13A4.B.43 with inputs/outputs for connection and control of an external camera, in configuration as video electronic unit.
- Possibility to connect up to 2 12TS.B, for a maximum of 8 buttons for direct calls.
- Power supply: Due Fili Plus Bus.
- Input for additional power supply (6923).
- Output for activation of electric lock (peak current $I_T > 1$ A for 10 ms followed by holding current $I_M = 200$ mA for as long as the lock control remains active).
- 2 outputs for activation of 2 relays 0170/001 operating auxiliary services.
- Input for door open sensor.
- Input for activation of lock by remote control.
- Removable terminal block for connection to system.

Technical data	13A4.B.43	13A7.B.43
Power supply from bus	voltage min. 21 Vdc	voltage min. 21 Vdc
Recording angle	horizontal	84°
	vertical	69°
Opening at 1 m	horizontal	1.8 m
	vertical	1.4 m
Current draw in stand-by	120 mA	120 mA
Max current draw in operation	470 mA	470 mA
Operating temperature	from -10° to +55° C	from -10° to +55° C
additional power supply	with 6923	with 6923

Option of using additional power supply 6923 where necessary (bus voltage at terminals 1 and 2 of electronic unit registering < 21 Vdc).

13F3.B and 13F5.B - Main characteristics

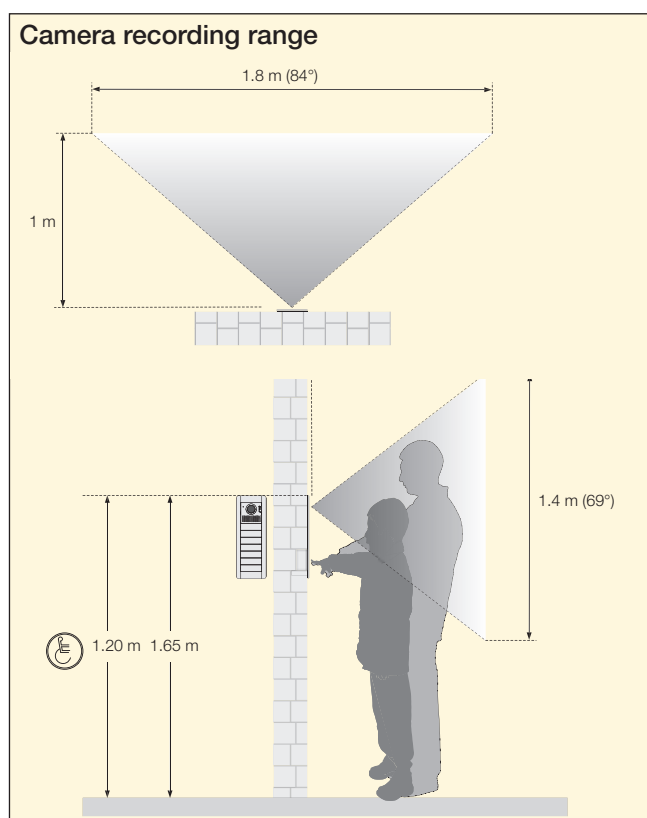
- Electronic unit with 8 call buttons arranged in 2 lines (4+4).
- Facility of increasing the number of call buttons by installing additional module 12TS.B (4 buttons in single line).
- Illuminated "Engaged - Please Wait" signal.
- Automatic configuration of indoor station addresses.
- Audio external unit with sound balance, internal volume and external volume adjustments provided by trimmers.
- 13F5.B supplied with colour camera with 1/4" sensor, minimum illuminance 1.0 lux, white LED for subject lighting and

manual pan/tilt adjustment.

- 13F3.B with inputs/outputs for connection and control of an external camera, in configuration as video electronic unit.
- Basic parameters configurable with the 8 buttons of the electronic unit; configuration of advanced parameters using programmer 950C or alternatively, the PC software application SaveProg.
- Power supply: Due Fili Plus Bus.
- Input for additional power supply (6923).
- Output for activation of electric lock (peak current $I_T > 1$ A for 10 ms followed by holding current $I_M = 200$ mA for as long as the lock control remains active).
- 2 outputs for activation of 2 relays 0170/001 operating auxiliary services.
- Input for door open sensor.
- Input for activation of lock by remote control.
- Removable terminal block for connection to system.

Technical data	13F3.B	13F5.B
Power supply from bus	voltage min. 21 Vdc	voltage min. 21 Vdc
Recording angle	horizontal	84°
	vertical	69°
Opening at 1 m	horizontal	1.8 m
	vertical	1.4 m
Current draw in stand-by	60 mA	60 mA
Max current draw in operation	450 mA	450 mA
Operating temperature	from -10° to +55° C	from -10° to +55° C
additional power supply	with 6923	with 6923

Option of using additional power supply 6923 where necessary (bus voltage at terminals 1 and 2 of electronic unit registering < 21 Vdc).



Patavium entrance panels

Electronic units with alphanumeric keypad and display

- ▲ **13A7.B.43** Due Fili Plus electronic unit for Patavium and Steely colour audio video entrance panel with alphanumeric keypad, display and electronic contacts list, 6400 indoor stations, with white LED backlighting, gold buttons
- ▲ **13A4.B.43** Due Fili Plus electronic unit for Patavium and Steely audio entrance panels with alphanumeric keypad, display and electronic contacts list, 6400 indoor stations, option of connecting to a CCTV type external camera, white LED backlighting, gold buttons



▲ **13A7.B.43**
gold buttons



▲ **13A4.B.43**
gold buttons

Electronic units with buttons

- ▲ **13F5.B** Due Fili Plus electronic unit for colour audio/video entrance panel with conventional buttons, colour camera, BUSY-WAIT indication, 8 buttons in 2 rows (4+4), with white LED backlighting
- ▲ **13F3.B** Due Fili Plus electronic unit for audio entrance panel with conventional buttons, BUSY-WAIT indication, 8 buttons in 2 rows (4+4), option of connecting to a CCTV type external camera, with white LED backlighting



▲ **13F5.B**



▲ **13F3.B**

Additional unit

- ▲ **12TS.B** Additional electronic unit with 4 buttons in 1 row, for electronic units for 1200, 1300, Patavium and Steely entrance panels



▲ **12TS.B**

Patavium entrance panels

Patavium series cover plates

Satin-finish brass audio/video cover plates with frame, for use in conjunction with electronic units and flush mounting boxes to make up entrance panels. The 2-module audio and audio/video cover plates can be extended horizontally, combining them to the additional 2-module cover plates, using flush mounting boxes. The cover plates and boxes are supplied in 3 different heights: 2-, 3- and 4-module.

Regulatory compliance

EMC directive

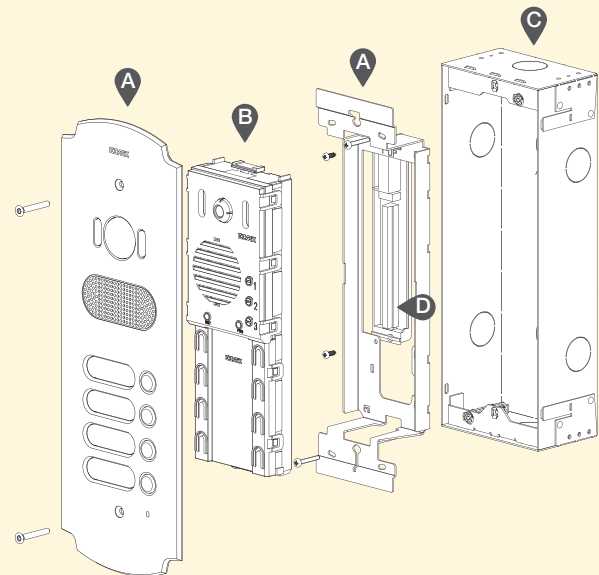
Main characteristics

- 4 mm thick satin-finish brass cover plate.
- IK08 protection rating against impact (cover plates with buttons), IK07 (cover plates for display and alphanumeric keypad) and protection degree IP54.
- 2 special gold coloured steel screws for fixing the cover plate to the frame.
- Buttons carried in transparent impact-resistant polycarbonate support.
- Zinc-plated steel frame.
- Stainless steel buttons.
- Dimensions of 2-module cover plate: 119.8x334x4 mm
- Dimensions of 2-module box: 99.9x270.2x60.6 mm
- Dimensions of 3-module cover plate: 119.8x448x4 mm
- Dimensions of 3-module box: 99.9x384.7x60.6 mm
- Dimensions of 4-module cover plate: 119.8x563x4 mm
- Dimensions of 4-module box: 99.9x499.2x60.6 mm

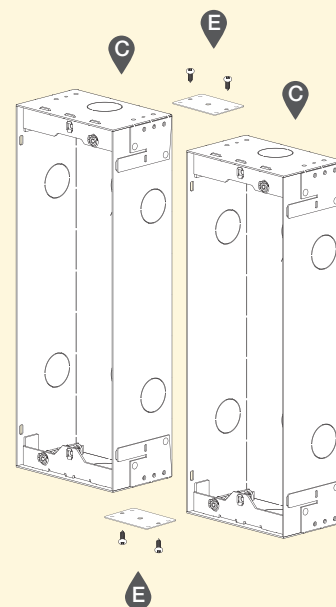
Installations

- A) Cover plate and frame.
- B) Electronic unit.
- C) Flush mounting box.
- D) Electronic unit terminal block.
- E) Brackets for box coupling.

Flush-mounted installation



Flush mounting box coupling



Patavium entrance panels

2 modules audio-video cover plates

▲ 41621	2-module audio-video cover plate with 1 button, Patavium, satin-finish brass
▲ 41622	As above, with 2 buttons
▲ 41623	As above, with 3 buttons
▲ 41624	As above, with 4 buttons
▲ 41641	2-module audio-video cover plate for Due Fili Plus electronic units with alphanumeric keypad, Patavium, satin-finish brass



▲ 41621
satin-finish brass



▲ 41622
satin-finish brass



▲ 41623
satin-finish brass



▲ 41624
satin-finish brass



▲ 41641
satin-finish brass

2 modules audio cover plates

▲ 41601	2-module audio cover plate with 1 button, Patavium, satin-finish brass
▲ 41602	As above, with 2 buttons
▲ 41603	As above, with 3 buttons
▲ 41604	As above, with 4 buttons
▲ 41640	2-module audio cover plate for Due Fili Plus electronic units with alphanumeric keypad, Patavium, satin-finish brass



▲ 41601
satin-finish brass



▲ 41602
satin-finish brass



▲ 41603
satin-finish brass



▲ 41604
satin-finish brass



▲ 41640
satin-finish brass

2 modules additional cover plates

▲ 41642	2-module cover plate with 3 illuminated cards for 11+11+11 names, Patavium, LED lighting, rear card extraction, satin-finish brass
▲ 41643	Additional 2-module cover plate with 8 conventional buttons, Patavium, satin-finish brass



▲ 41642
satin-finish brass

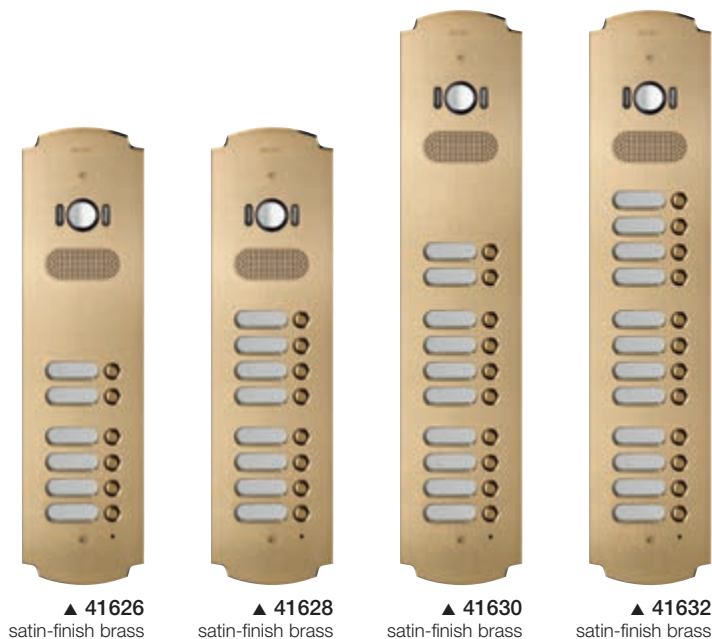


▲ 41643
satin-finish brass

Patavium entrance panels

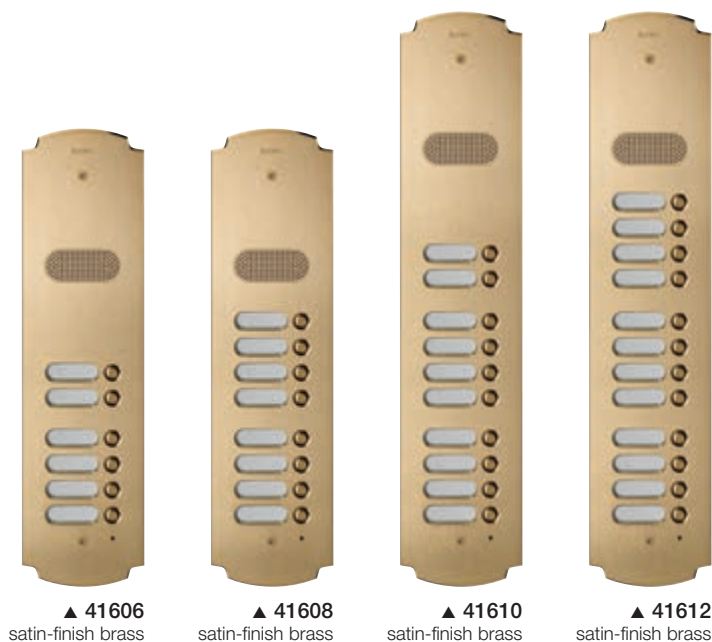
3 and 4 modules audio-video cover plates

▲ 41626	3-module audio-video cover plate with 6 buttons, Patavium, satin-finish brass
▲ 41628	As above, with 8 buttons
▲ 41630	4-module audio-video cover plate with 10 buttons, Patavium, satin-finish brass
▲ 41632	As above, with 12 buttons



3 and 4 modules audio cover plates

▲ 41606	3-module audio cover plate with 6 buttons, Patavium, satin-finish brass
▲ 41608	As above, with 8 buttons
▲ 41610	4-module audio cover plate with 10 buttons, Patavium, satin-finish brass
▲ 41612	As above, with 12 buttons



Patavium entrance panels

Flush mounting boxes

▲ 41592	Zinc-plated metal 2M flush mounting box for Patavium and Steely entrance panels
▲ 41593	Zinc-plated metal 3M flush mounting box for Patavium and Steely entrance panels
▲ 41594	Zinc-plated metal 4M flush mounting box for Patavium and Steely entrance panels



▲ 41592

▲ 41593

▲ 41594

Pixel Up entrance panels

Pixel Up series entrance panel

Entrance panel comprising 3 mm 316 stainless steel cover plate, flush mounting box and electronic unit. Available in the version with alphanumeric keyboard, stainless steel buttons and colour display protected by 5 mm thick polycarbonate glass. Impact- and weather-resistant with protection ratings IP54 and IK08. For flush mounting the cover plate is supplied with a box to be fixed to using special anti-tamper screws. Supplied with a standard configuration, the unit can be customized to suit the particular system. Programming performed using Video-Door IP manager software.

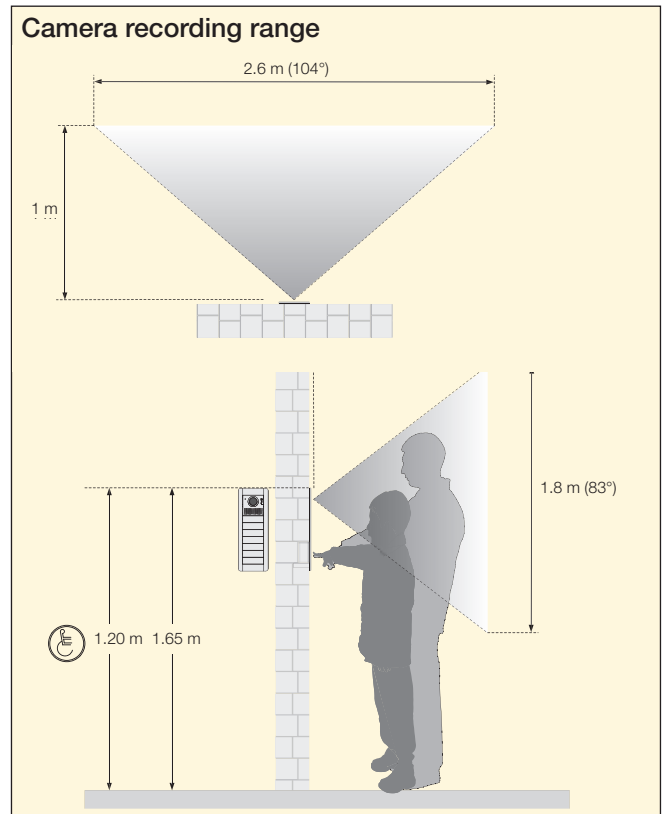
Regulatory compliance

EMC directive
Standards EN 60065, EN 61000-6-1, EN 61000-6-3 and EN 60118-4

40414 and 40415 - Main specifications

- Audio and audio/video electronic units with 3.5" alphanumeric display (320x480 pixels).
- Cover plate in grade 316 stainless steel.
- Zinc-plated metal flush mounting box.
- Degree of protection against impact IK08 and protection rating IP54.
- Alphanumeric keypad with stainless steel buttons and Braille code, for making calls, exploring the electronic contacts list, and configuring basic parameters of the electronic unit.
- Colour camera with wide-angle lens, sensitivity sensor and HDR, to focus on areas with reduced brightness.
- White LED lighting in the shooting area with automatic brightness control according to the ambient light.
- Zoom&scan camera mode, controlled directly from the indoor station.
- Indication of "Engaged - Please Wait" message and operating steps on the display.
- Electronic contacts list with memory capacity for 6,400 users (2 names of 16 characters each, per user).
- Front LEDs for signalling: call in progress/communication open; enable lock; missed call if the line is busy; video answering machine service.
- Entrance panel user guide to assist the visually impaired, using voice synthesis messages.
- Autogain on loudspeaker power output (AGC).
- Echo canceller, to remove the Larsen effect.
- Noise reduction and voice activity detection (VAD).
- Hearing-impaired function for hearing aid wearers.
- Power supply: PoE class 0, from Ethernet network.
- Output for activation of electric lock (peak current $I_T > 1\text{ A}$ for 10 ms followed by holding current $I_M = 200\text{mA}$ for as long as the lock control remains active).
- 2 outputs for auxiliary services, with NO and NC contacts, max 60 Vdc 1 A.
- 2 inputs, programmable in the configuration software (in NO or NC mode), e.g.: remote control for lock activation, open door signalling.
- Removable terminal block for connection to system.
- Operating temperature -25 to +55 °C.
- Cover plate dimensions (40415): 145x405x3 mm
- Cover plate dimensions (40414): 145x460x3 mm
- Flush mounting box dimensions (40415): 124x382x60 mm
- Flush mounting box dimensions (40414): 124x437x60 mm

Technical data		40414/40415
Power supply from Ethernet network		PoE, class 0 (IEEE 802.3-2012)
Network interface		RJ45 Ethernet 10/100 Mps (certified)
Recording angle	horizontal	104°
	vertical	83°
Opening at 1 m	horizontal	2.6 m
	vertical	1.8 m
Nominal power consumption		10 W
Max current draw in operation		500 mA
Operating temperature		from -25° to +55° C



Pixel Up entrance panels

Entrance panel with alphanumeric keypad and display

▲ **40415** Colour audio video IP entrance panel with keypad, display and electronic contacts list, complete with metal flush mounting box, stainless steel



▲ **40415**
stainless steel

Entrance panel with alphanumeric keypad, display and hole for access reader

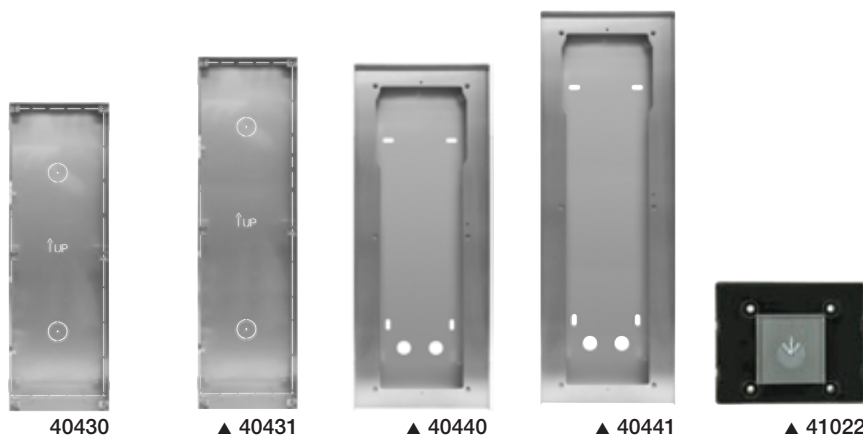
▲ **40414** Colour audio video IP entrance panel with keypad, display and electronic contacts list, with 40 x 40 mm hole for access reader, complete with metal flush mounting box, stainless steel



▲ **40414**
stainless steel

Accessories

- 40430 Zinc-plated metal flush mounting box for Pixel Up entrance panel
- ▲ 40431 Zinc-plated metal flush mounting box for Pixel Up entrance panel with reader
- 40440 Surface mounting box with rain-proof frame for Pixel Up entrance panel
- ▲ 40441 Surface mounting box with rain-proof frame for Pixel Up entrance panel with reader
- ▲ 41022 RFID reader, white LED backlighting, 1 NO relay output for Pixel Up entrance panels 2F+ and IP, with 40 x 40 mm hole



40430

▲ 40431

▲ 40440

▲ 40441

▲ 41022

Pixel Up series entrance panel

Entrance panel comprising 3 mm 316 stainless steel cover plate, flush mounting box and electronic unit. Available in the version with alphanumeric keyboard, stainless steel buttons and colour display protected by 5 mm thick polycarbonate glass. Impact- and weather-resistant with protection ratings IP54 and IK08. For flush mounting the cover plate is supplied with a box to be fixed to using special anti-tamper screws. Supplied with a standard configuration, the unit can be customized to suit the particular system. The electronic unit can be programmed from the unit itself, or using programmer 950C, or alternatively, the PC software application SaveProg 69CD with interface 692I or 692I/U.

Regulatory compliance

EMC directive
Standards EN 60065, EN 61000-6-1, EN 61000-6-3 and EN 60118-4

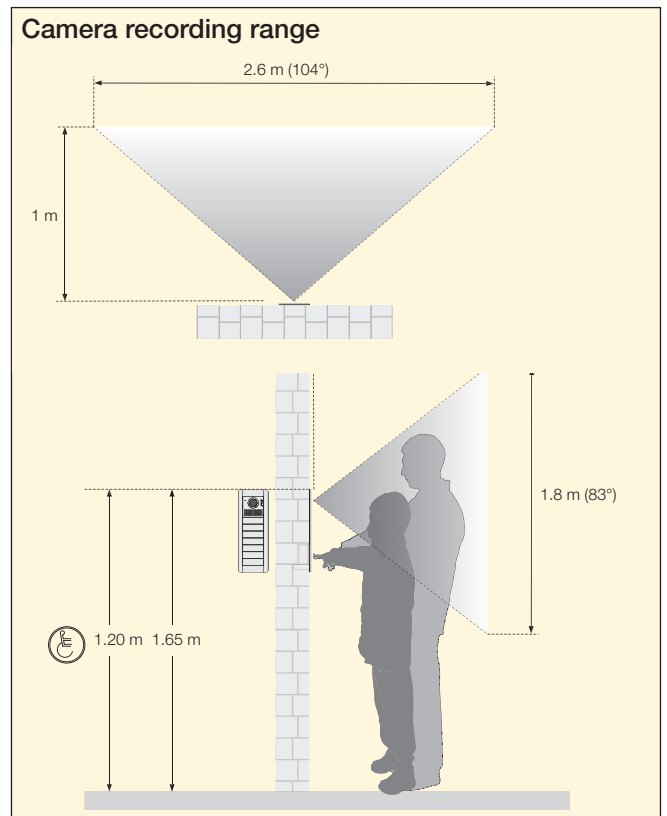
40404, 40405, 40424 and 40425 - Main characteristics

- Audio and audio/video electronic units with 3.5" alphanumeric display (320x480 pixels).
- Cover plate in grade 316 stainless steel.
- Zinc-plated metal flush mounting box.
- Degree of protection against impact IK08 and protection rating IP54.
- Alphanumeric keypad with stainless steel buttons and Braille code, for making calls, exploring the electronic contacts list, and configuring basic and advanced parameters of the electronic unit.
- 40404 and 40405 with colour camera with wide-angle lens, sensitivity sensor and HDR, to focus on areas with reduced brightness.
- 40404 and 40405 with white LED lighting in the shooting area with automatic brightness control according to the ambient light.
- 40404 and 40405 with zoom&scan camera mode for, directly controlled from the indoor station.
- Indication of "Engaged - Please Wait" message and operating steps on the display.
- Electronic contacts list with memory capacity for 6,400 users (2 names of 16 characters each, per user).
- Front LEDs for signalling: call in progress/communication open; enable lock; missed call if the line is busy.
- Entrance panel user guide to assist the visually impaired, using voice synthesis messages.
- Autogain on loudspeaker power output (AGC).
- Echo canceller, to remove the Larsen effect.
- Noise reduction and voice activity detection (VAD).
- Hearing-impaired function for hearing aid wearers.
- Power supply: Due Fili Plus Bus.
- Input for additional power supply (6923).
- Output for activation of electric lock (peak current $I_T > 1\text{ A}$ for 10 mS followed by holding current $I_M = 200\text{ mA}$ for as long as the lock control remains active).
- 2 outputs for auxiliary services, with NO and NC contacts, max 60 Vdc 1 A.
- Input for door open sensor.
- Input for activation of lock by remote control.
- Removable terminal block for connection to system.
- Operating temperature -25 to +55 °C.
- Cover plate dimensions (40405 and 40425): 145x405x3 mm
- Cover plate dimensions (40404 and 40424): 145x460x3 mm

- Flush mounting box dimensions (40405 and 40425): 124x382x60 mm
- Flush mounting box dimensions (40404 and 40424): 124x437x60 mm

Technical data		40424/40425	40404/40405
Power supply from bus		voltage min. 21 Vdc	voltage min. 21 Vdc
Recording angle	horizontal	-	104°
	vertical	-	83°
Opening at 1 m	horizontal	-	2.6 m
	vertical	-	1.8 m
Current draw in stand-by		120 mA	120 mA
Max current draw in operation		330 mA	330 mA
Operating temperature		from -25° to +55° C	from -25° to +55° C
Additional power supply		with 6923	with 6923

Option of using additional power supply 6923 where necessary (bus voltage at terminals 1 and 2 of electronic unit registering < 21 Vdc).



Pixel Up entrance panels

Entrance panels with alphanumeric keypad and display

- 40405** Colour video entrance panel with keypad, display and electronic contacts list, 6400 indoor stations, complete with metal flush mounting box, stainless steel
- ▲ **40425** Due Fili Plus audio entrance panel with keypad, display and electronic contacts list, 6400 indoor stations, complete with metal flush mounting box, stainless steel



40405
stainless steel

▲ **40425**
stainless steel

Entrance panels with alphanumeric keypad, display and hole for access reader

- 40404** Due Fili Plus colour audio video entrance panel with keypad, display and electronic contacts list, with 40 x 40 mm hole for access reader, 6400 indoor stations, complete with metal flush mounting box, stainless steel
- ▲ **40424** Due Fili Plus audio entrance panel with keypad, display and electronic contacts list, with 40 x 40 mm hole for access reader, 6400 indoor stations, complete with metal flush mounting box, stainless steel

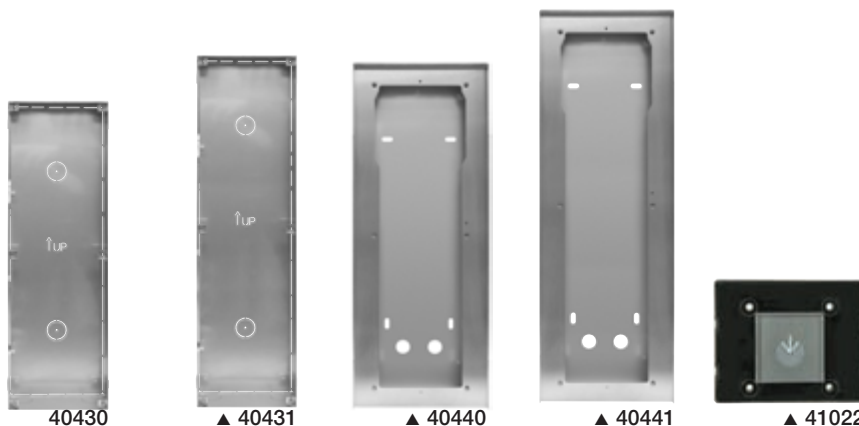


40404
stainless steel

▲ **40424**
stainless steel

Accessories

- 40430** Zinc-plated metal flush mounting box for Pixel Up entrance panel
- ▲ **40431** Zinc-plated metal flush mounting box for Pixel Up entrance panel with reader
- 40440** Surface mounting box with rain-proof frame for Pixel Up entrance panel
- ▲ **40441** Surface mounting box with rain-proof frame for Pixel Up entrance panel with reader
- ▲ **41022** RFID reader, white LED backlighting, 1 NO relay output for Pixel Up entrance panels 2F+ and IP, with 40 x 40 mm hole



40430

▲ **40431**

▲ **40440**

▲ **40441**

▲ **41022**

B.C19043 EN 1909



8 007352 628182



Viale Vicenza, 14
36063 Marostica VI - Italy
Tel. +39 0424 488 600
Fax +39 0424 488 709
www.vimar.com